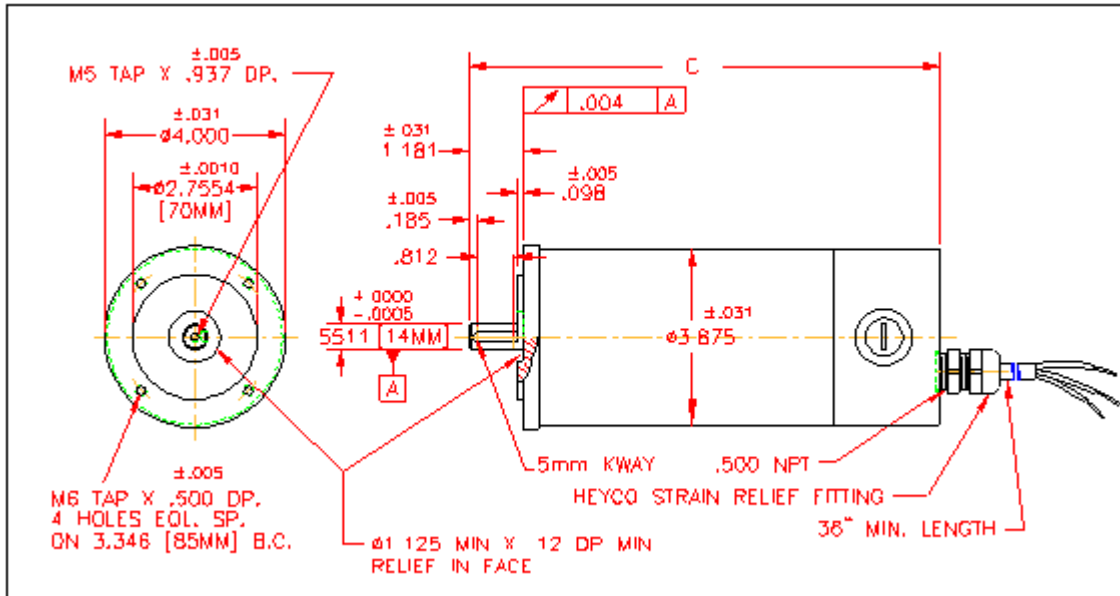


# Hallmark Industries, Inc. - PM DC MOTORS

Part Number: **MD7103A**

Description: PM DC, SCR Type, 1/3 HP, 90V, TENV, 1900RPM, IEC D71C Frame



Part #	H.P.	Base RPM	Arm. Volt.	NEMA Frame	Encl.	F.L Amps	INSUL.	F.F.	Torque	Serv. Factor	C	App. Wgt.
MD7103A	1/3	1900	90 VDC	IEC D71C	TENV	3.3	F	1.35	11 in.lbs	1.0	10.41	16 lbs