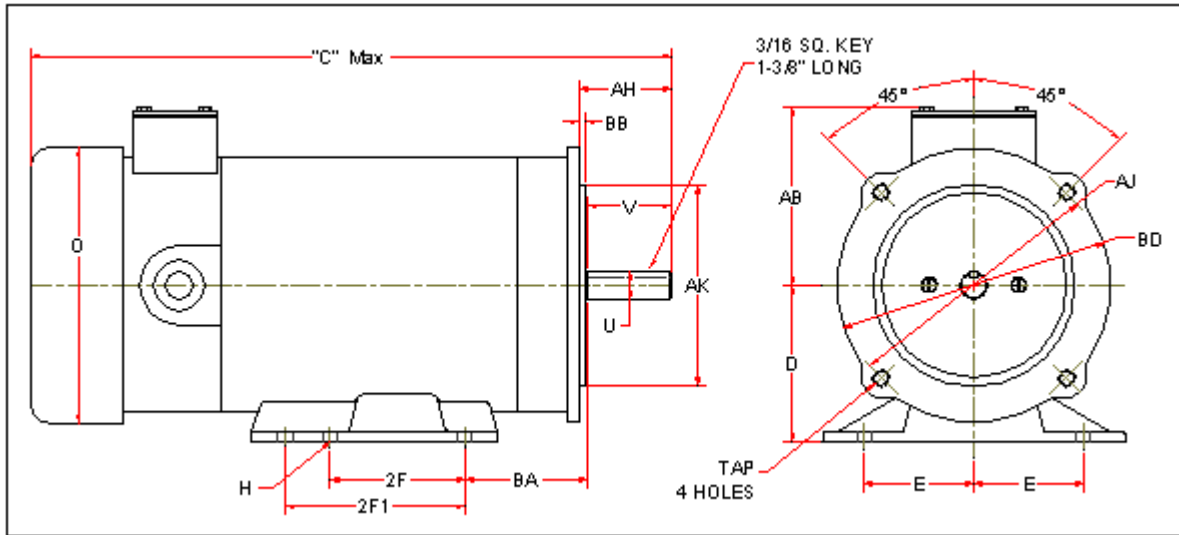


Hallmark Industries, Inc. - PM DC MOTORS

Part Number: **MD0503E**

Description: PM DC, 1/3 HP, 12V, TEFC, 56C w/Removable Base



| D | E | 2F | H | O | U | V | AB | AH | AJ | AK | BA | BB | BD | TAP | C |
|-------|--------|------|---------------|------|-------|-------|-------|--------|-------|-------|-------|-------|------|---------|------|
| 3-1/2 | 2-7/16 | 3.00 | 11/32 SLOT | 5.57 | 0.625 | 1.875 | 4-1/8 | 2-1/16 | 5.875 | 4.500 | 2.750 | 0.125 | 6.14 | .375-16 | 11.6 |

| H.P. | Base RPM | Arm. Volt. | NEMA Frame | Encl. | F.L Amps | INSUL. | Torque | Serv. Factor | App. Wgt. |
|------|----------|------------|------------|-------|----------|--------|-----------|--------------|-----------|
| 1/3 | 1750 | 12 VDC | 56C | TEFC | 27 | F | 12 in.lbs | 1.0 | 20 lbs |