

GRADE 5 BOLT
TORQUE TO 30 IN-LB

LABEL LOCATION

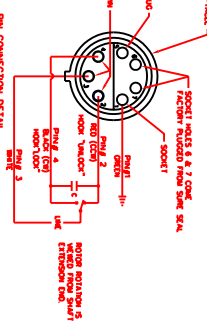
INTERVAL 8-32 THREAD
IN GEAR HOUSING

ROTATION DIRECTION OF SPROCKET
WITH (RED) WIRE CONNECTION MADE
FOR HOOK DOWN (UNLOCK)

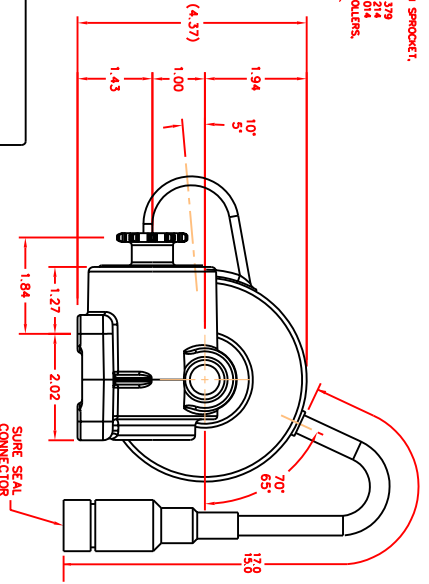
1/8" TYP. .435 ROLLER CHAIN SPROCKET.
3/8" PITCH, .435 ROLLER & 200", 1.120
PITCH DIAMETER, 1.120
ROOT DIAMETER, 1.014
DIAMETER OVER (2) #200" ROLLERS,
1.020 OR 1.115-1.160 DIAMETER

- NOTES:
1. ALL DIMENSIONS ARE REFERENCE UNLESS TOLERANCES GIVEN.
 2. CLUTCH SLIPS AT 300-450 IN. LB. TORQUE.
 3. (TEST PER RHC PROCEDURE ON SHEET #3)
 4. WIRE CONNECTORS TO BE ASSEMBLED PER SURE SEAL SPECIFICATION.
 5. HEAT SHRINK TUBE APPLIED TO WIRE CORD AND RECEPTACLE MUST PROVIDE A WATER-TIGHT CONNECTION.

3/12-18 UNC X .43 DEEP
COUNTERSINK & .375 X 45°
TYP (4) PLACES



800035		REV.
56/47	REVISED	275
115	REVISED	60/50
REVISED TO 30-1		
REVISED TO 3.0 MIN.		
REVISED TO 8		
REVISED TO 1.120		
REVISED TO 1.014		
REVISED TO 1.020		
REVISED TO 1.115-1.160		



SURE SEAL
CONNECTOR

--SPECIFICATIONS--

MOTOR P/N: KIT-1056
MOTOR FRAME: STANDARD 3.1
HP: 1/4 VOLTS: 115 Hz: 60/50
R.P.M.: 1600/1300 ROTATION: REV. INS. CLASS: B
F.L. AMPS: 5.2/5.4 L.R. AMPS: 5.7
ENCLOSURE: TEVU DUTY: INTERMITTENT
IP65 MINIMUM, IP67 PREFERRED
MOTOR SHELL: ALUMINUM
MOTOR FRAME: CAPACITOR COVER FINISH: BLACK E-COAT
PROTECTION: NONE
TEMPERATURE RISE: 25° C
CORD: SLOW OR EQUIVALENT, 4 CONDUCTORS, 18 GAUGE
TERMINATION: SURE SEAL
LUBRICATION: LUBRICATE LOW POUR HYDRAULIC OIL (OR EQUIVALENT)
SUS AT 100° IS 126, 150 VISCOSITY GRADE IS 22
OPERATING OIL TEMP RANGE: -25° F TO 150° F
MIN STARTUP TEMP: -60° F
MAX OPERATING TEMP: 175° F

GARDNER-WHITMAN, LITHIC, 17400 HWY 87 50/000Z, REV. 08/88 (400/800) 800335	
D MA0254X	