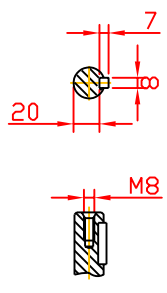
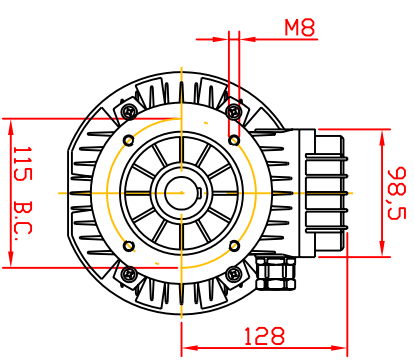
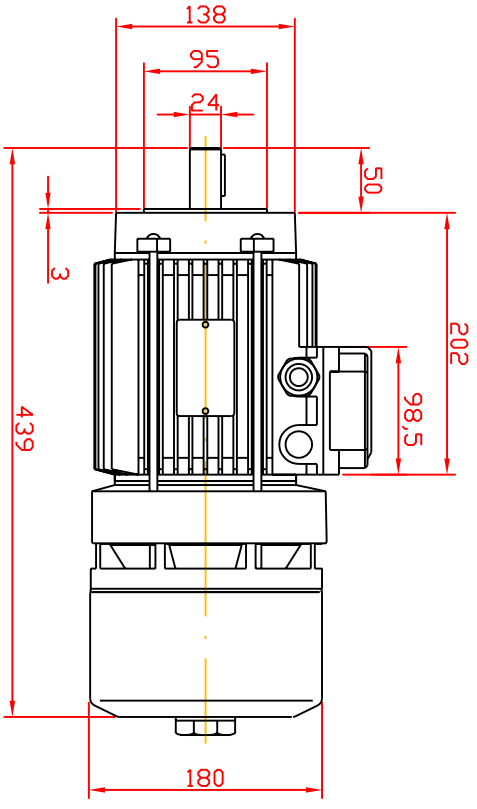


RevNo Revision note Date Signature Checked



SPECS:

AC BRAKE MOTOR, 2HP, 230/360V, 3PH/60HZ, 1725RPM
 ALUMINUM CAST HOUSING,
 BRAKE SETTING: 15 - 25.8 FT.LBS (20.3-35NM)
 MANUAL RESET



THIS DRAWING AND THE INFORMATION ON IT ARE THE PROPERTY OF HALMARK INDUSTRIES, INC. AND IS NOT TO BE USED OR REPLICATED WITHOUT PRIOR AUTHORIZATION.
HALMARK INDUSTRIES, INC.
 733 BRIDGDALE DRIVE, SCHAEUBURG, IL 60196, USA. PHONE: (618)882-8821 FAX: (618)882-5658

DATE: OUTLINE: AC BRAKE MOTOR
 2HP, 230/460V, 3PH/50HZ, 1725RPM
 SMA90L-4-BM90-B14

DESIGNER	TOM ZHUN	DRAWN DATE	CHECKED	CHECK DATE
SIZE	ONE NO.			
SCALE	1:3	CUST. NO.	MA0252X	SHEET 1 OF 1