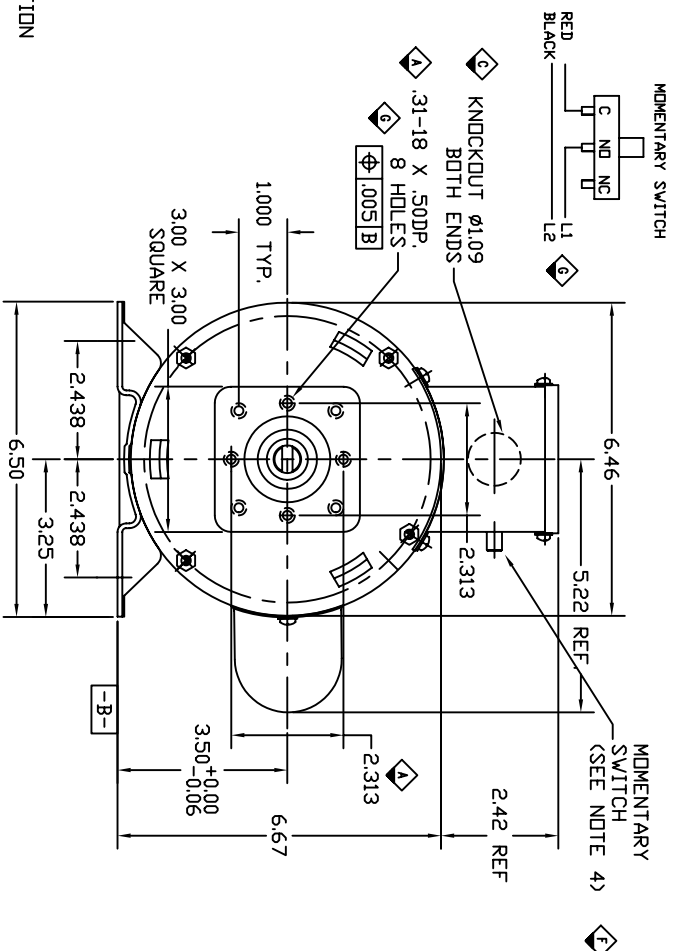


SECTION A-A SCALE 2:2.5



- NOTES:
- 3.0 HP, 19.8 AMP, 2850RPM @ 50HZ, 3450RPM @ 60HZ, 208-230VAC, 1PH, 1.0 SF, INSUL CLASS: B, TYPE KN, FRAME: H56 SPECIAL SHAFT, ENCL: TENV, MOUNTING: F1, RIGID BASE;
  - SER. F, 1.00, FL EFF 70%, RATING 40C AMB-5 MIN;
  - ROTATION: CLOCKWISE DRIVE END;
  - SWITCH INSTALLATION: SWITCH INSIDE THE CONDUIT BOX, NO WASHER INSIDE, ONE (1) PANEL WASHER AND ONE (1) PANEL NUT OUTSIDE CONDUIT BOX.

REV	DESCRIPTION	DATE	APPROVED
A	WAS 4 HOLES, CUSTOMER REQUEST	12/2/02	GCS
B	ADD A DIMENSION	12/22/02	GCS
C	GENERAL REVISION	1/6/03	GCS
D	ADD NAMEPLATE & KNOCKOUT HOLE	7/2/03	GCS
E	WAS 253/257 ADD SYMMETRY	8/26/03	GCS
F	ADD NOTS FOR SLOT & SWITCH	9/17/03	GCS
G	ADD TOLERANCE, WAS L & N	11/22/03	GCS
H	WAS 233/213, 257 WAS 262	1/26/05	GCS

UNLESS OTHERWISE SPECIFIED

ALL DIMENSIONS ARE IN INCHES

DECIMALS: 1/16, 1/32, 1/64

TOLERANCES:

ANGULAR: ± 30°

THIRD ANGLE PROJECTION

THIS DRAWING AND THE INFORMATION ON IT ARE THE PROPERTY OF HALLMARK INDUSTRIES, INC. AND IS NOT TO BE USED OR REPRODUCED WITHOUT PERMITS FROM ADMINISTRATION

HALLMARK INDUSTRIES, INC.  
733 BROOKLINE DRIVE, SHAWNEE, I 60194 PHONE: (616) 982-8021 FAX: (616) 982-8689

TITLE: AC MOTOR, 56H, SLOTTED SHAFT  
3HP, 208-230VAC/50/60HZ/1PH  
MA02-10101

DRAWN: GCS  
DATE: 1/04/02  
CHECKED: [Signature]

SCALE: 1:2.5  
SHEET: 1 OF 1