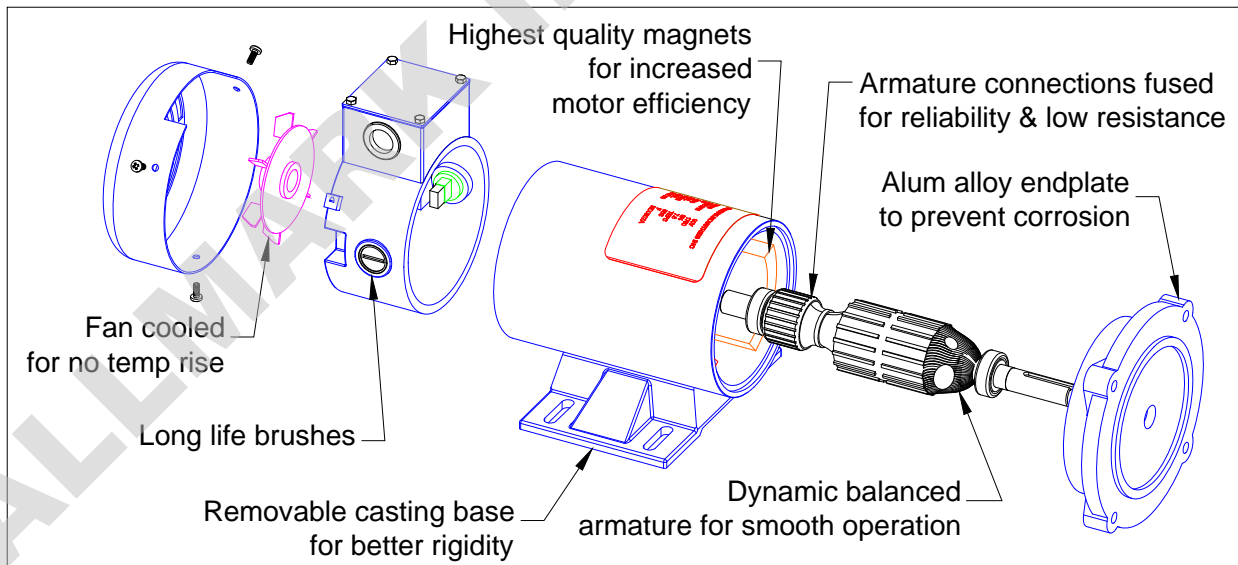


# Permanent Magnet DC Motors

## Features

- Complete line of permanent magnet DC Motors;
- Good for high torque start up and variable speed;
- Linear torque/speed performance curve;
- Highest quality oriented magnets;
- F insulation class;
- UL listed, UL file No.: E233961
- 56C face and Removable mounting bases for dual mounting versatility;
- Continuous duty;
- Dynamic balanced armature for smooth operation;
- Totally Enclosed Fan Cooled (TEFC) or Non Vent (TENV);
- Double seal ball bearings with permanent grease filling for long life;
- Long life brushes;
- 30 day worry free return policy;
- One Year Warranty.



**HALLMARK INDUSTRIES, INC.**

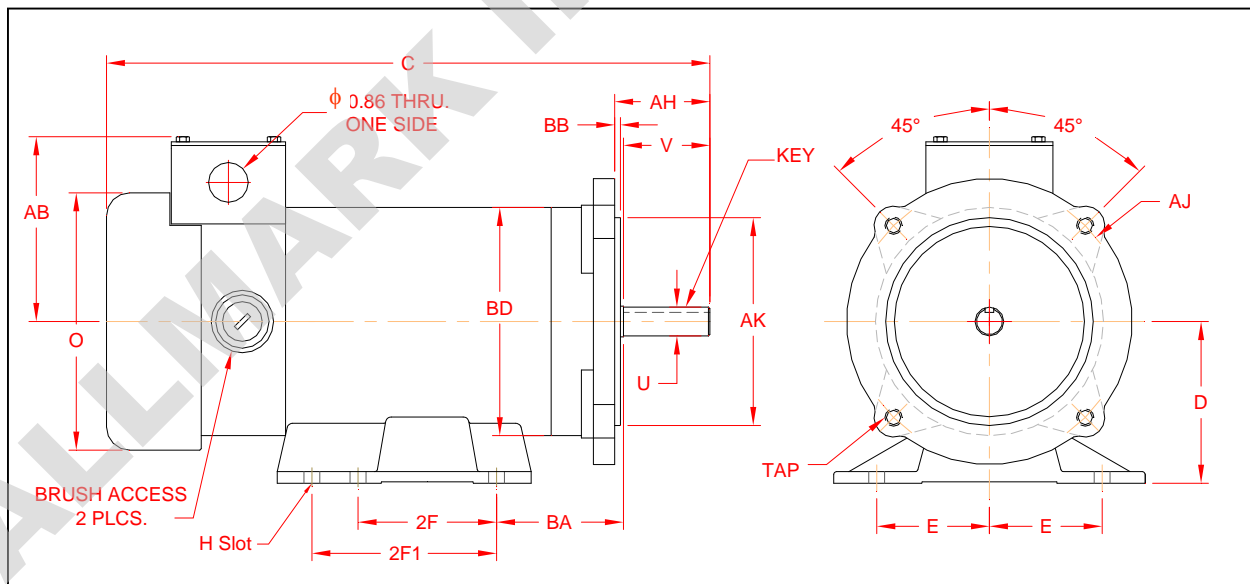
# Permanent Magnet DC Motors

## DIMENSION SHEET

\*: For TEFC, including models end with letter A, B, E, or F

\*\* : For TENV, including models end with letter C, or D

Part No.	HP	Frame	Encl.	D	E	2F	H	O	U	V	AB	AH	AJ	AK	BA	BB	TAP	Key	C
MD0402**	1/4	48C	TENV	3	2-1/8	2.75	11/32	4.4	1/2	1-1/2	3.6	1.31	3-3/4	3	2.5	1/8	1/4-20	Flat	8.6
MD0403**	1/3	48C	TENV	3	2-1/8	2.75	11/32	4.4	1/2	1-1/2	3.6	1.31	3-3/4	3	2.5	1/8	1/4-20	Flat	9.2
MD0405**	1/2	48C	TENV	3	2-1/8	2.75	11/32	4.4	1/2	1-1/2	3.6	1.31	3-3/4	3	2.5	1/8	1/4-20	Flat	10.4
MD0502**	1/4	56C	TENV	3.5	2.44	3	11/32	4.4	5/8	1-7/8	3.6	2.06	5-7/8	4.5	2.75	1/8	3/8-16	3/16	9.8
MD0503**	1/3	56C	TENV	3.5	2.44	3	11/32	4.4	5/8	1-7/8	3.6	2.06	5-7/8	4.5	2.75	1/8	3/8-16	3/16	9.8
MD0505**	1/2	56C	TENV	3.5	2.44	3	11/32	4.4	5/8	1-7/8	3.6	2.06	5-7/8	4.5	2.75	1/8	3/8-16	3/16	10.7
MD0502*	1/4	56C	TEFC	3.5	2.44	3	11/32	5	5/8	1-7/8	3.6	2.06	5-7/8	4.5	2.75	1/8	3/8-16	3/16	11.3
MD0503*	1/3	56C	TEFC	3.5	2.44	3	11/32	5	5/8	1-7/8	3.6	2.06	5-7/8	4.5	2.75	1/8	3/8-16	3/16	11.3
MD0505*	1/2	56C	TEFC	3.5	2.44	3	11/32	5	5/8	1-7/8	3.6	2.06	5-7/8	4.5	2.75	1/8	3/8-16	3/16	12.1
MD0507*	3/4	56C	TEFC	3.5	2.44	3	11/32	5.5	5/8	1-7/8	3.6	2.06	5-7/8	4.5	2.75	1/8	3/8-16	3/16	13.3
MD0510*	1	56C	TEFC	3.5	2.44	3	11/32	5.5	5/8	1-7/8	3.6	2.06	5-7/8	4.5	2.75	1/8	3/8-16	3/16	14.7
MD0515*	1.5	56C	TEFC	3.5	2.44	3	11/32	5.5	5/8	1-7/8	3.6	2.06	5-7/8	4.5	2.75	1/8	3/8-16	3/16	17.4
MD1415*	1.5	145TC	TEFC	3.5	2.75	4/5	11/32	6.9	7/8	2-1/4	4.4	2.12	5-7/8	4.5	2.25	1/8	3/8-16	3/16	15.2
MD1420*	2	145TC	TEFC	3.5	2.75	4/5	11/32	6.9	7/8	2-1/4	4.4	2.12	5-7/8	4.5	2.25	1/8	3/8-16	3/16	15.8
MD1430*	3	145TC	TEFC	3.5	2.75	4/5	11/32	6.9	7/8	2-1/4	4.4	2.12	5-7/8	4.5	2.25	1/8	3/8-16	3/16	18.4



# HALLMARK INDUSTRIES, INC.

# Permanent Magnet DC Motors

## SPECIFICATION SHEET

Part No.	HP	RPM	Volt.	Frame	Encl.	F.L Amps	Insul.	F.F.	Torq (in.lbs)	S.F	Weight (lbs)
MD0402C	1/4	1800	90	48C	TENV	2.9	F	1.35	9	1.0	14
MD0403C	1/3	1800	90	48C	TENV	3.7	F	1.35	12	1.0	14
MD0405C	1/2	1800	90	48C	TENV	5.3	F	1.35	18	1.0	18
MD0502A	1/4	1800	90	56C	TEFC	2.9	F	1.35	9	1.0	16
MD0502B	1/4	1800	180	56C	TEFC	1.5	F	1.35	9	1.0	16
MD0502C	1/4	1800	90	56C	TENV	2.9	F	1.35	9	1.0	16
MD0502D	1/4	1800	180	56C	TENV	1.5	F	1.35	9	1.0	16
MD0502E	1/4	1800	12	56C	TEFC	21	F	1.35	9	1.0	16
MD0502F	1/4	1800	24	56C	TEFC	11	F	1.35	9	1.0	16
MD0503A	1/3	1800	90	56C	TEFC	3.7	F	1.35	12	1.0	16
MD0503B	1/3	1800	180	56C	TEFC	1.9	F	1.35	12	1.0	16
MD0503C	1/3	1800	90	56C	TENV	3.7	F	1.35	12	1.0	16
MD0503D	1/3	1800	180	56C	TENV	1.9	F	1.35	12	1.0	16
MD0503E	1/3	1800	12	56C	TEFC	27	F	1.35	12	1.0	16
MD0503F	1/3	1800	24	56C	TEFC	13.5	F	1.35	12	1.0	16
MD0505A	1/2	1800	90	56C	TEFC	5.3	F	1.35	18	1.0	19
MD0505B	1/2	1800	180	56C	TEFC	2.7	F	1.35	18	1.0	19
MD0505C	1/2	1800	90	56C	TENV	5.3	F	1.35	18	1.0	19
MD0505D	1/2	1800	180	56C	TENV	2.7	F	1.35	18	1.0	19
MD0505E	1/2	1800	12	56C	TEFC	39	F	1.35	18	1.0	19
MD0505F	1/2	1800	24	56C	TEFC	20	F	1.35	18	1.0	19
MD0507A	3/4	1800	90	56C	TEFC	7.8	F	1.35	27	1.0	27
MD0507B	3/4	1800	180	56C	TEFC	3.9	F	1.35	27	1.0	27
MD0507E	3/4	1800	12	56C	TEFC	58	F	1.35	27	1.0	27
MD0507F	3/4	1800	24	56C	TEFC	29	F	1.35	27	1.0	27
MD0510A	1	1800	90	56C	TEFC	10.4	F	1.35	36	1.0	32
MD0510B	1	1800	180	56C	TEFC	5.2	F	1.35	36	1.0	32
MD0510E	1	1800	12	56C	TEFC	80	F	1.35	36	1.0	32
MD0510F	1	1800	24	56C	TEFC	40	F	1.35	36	1.0	32
MD0515B	1.5	1800	180	56C	TEFC	7.4	F	1.35	54	1.0	42
MD1415B	1.5	1800	180	145TC	TEFC	7.8	F	1.35	54	1.0	42
MD1420B	2	1800	180	145TC	TEFC	10.1	F	1.35	72	1.0	52
MD1430B	3	1800	180	145TC	TEFC	15.3	F	1.35	108	1.0	71

HALLMARK INDUSTRIES, INC.